

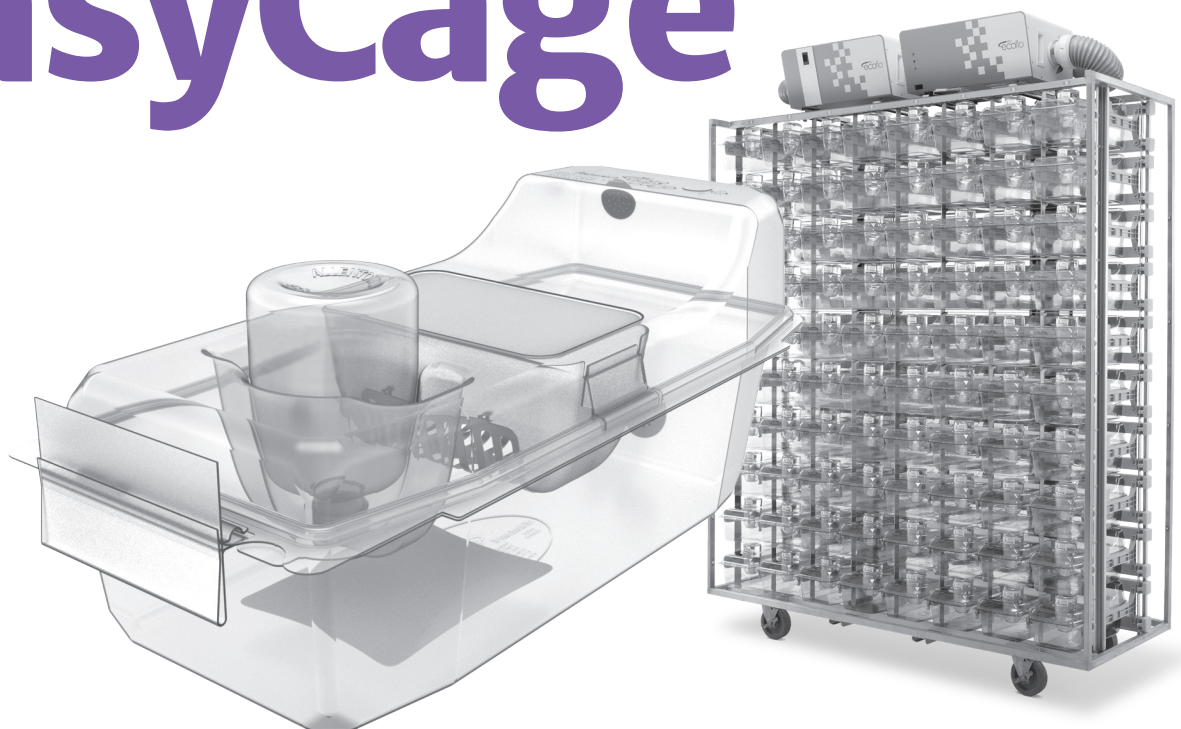


**Your trusted global partner  
in life-saving research.**

For over 50 years, Allentown has provided critical solutions to the biomedical research community. Our high-quality equipment and advanced vivarium systems continue to define and exceed industry standards. Like everything we do, our unparalleled customer service is stamped with the Allentown hallmarks of integrity, dedication and care.

# EasyCage®

MOUSE



OVERVIEW

Providing critical solutions with integrity and care.



## Disposable, Recyclable, Retrofittable Caging

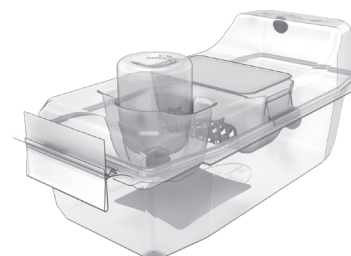
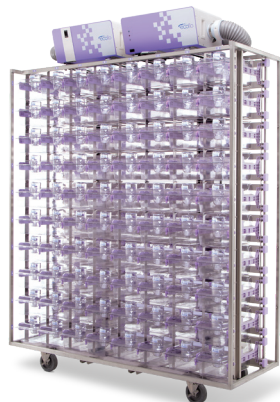
EasyCage Mouse is a disposable, recyclable, retrofittable caging option that works in conjunction with Allentown's NexGen Mouse IVCs. Because it's disposable, the EasyCage eliminates cage processes such as washing and autoclaving, streamlining vivarium operations while at the same time improving performance, bio-security, ergonomics, and energy consumption.

All plastic components come decontaminated and ready to use right out of the box.

Once assembled, EasyCages can then be placed directly into a NexGen Mouse IVC and used immediately.

When finished using, bedding is discarded and the cage can then be recycled or disposed of. With no post-use processing necessary, putting cages in to and out of use couldn't be any easier.

## OVERVIEW



### IVC System

Positive or negative precision air controlled rack

Up to 180-cage capacity

Lightweight, compact, and autoclave compatible rack design

Plastic (polysulfone) cage support runners with integrated spring operated cage lock with docking indicator

Ergonomic, single finger motion docking with auto-locking feature

Horizontal airflow manifolds with tethered dual silicone end caps for ease of cleaning

5-inch and 3.5-inch diameter stainless steel casters with gray polypropylene wheels with sealed ball bearings and four foot-operated brakes

Rear exhaust and supply plenum configurations for single-sided IVCs, or same side exhaust and supply plenum configurations for double-sided IVCs

4-inch diameter vertical supply and 4-inch diameter vertical exhaust plenums with back and bottom door access

304 stainless steel, welded frame construction, utilizing both square and rectangular structural tubing

Cage air tubes are 304 stainless steel

Automatic watering available

Row and column identification labels

Model number and serial number identification labels

Compatible with all configurations of EcoFlo™ blowers

Compatible with WiVarium Plus™ and Wi-Com Vantage™

Compatible with Sentinel™ EAD® and Sentinel2™ Colony Health Monitoring systems

Compatible with Wi-Com Sensus™ Animal Inventory System

Accommodates both NexGen reusable and EasyCage® single-use cage systems

### Cage System

#### EasyCage Mouse Base

- Made from recyclable, BPA-free, PET
- Floor area: 77.5 in<sup>2</sup>
- Pre-bedding options: NestPak® ¼-in ALPHA-dri®, ¼-in Corn Cob, or ⅛-in Performance BioFresh™
- Snap fit with EasyCage Mouse Lid
- Sealed supply filter maintains the micro-environment

#### EasyCage Mouse Lid

- Made from recyclable, BPA-free, PET
- Integrated bottle well
- Snap fit with EasyCage Mouse Base
- Sealed filters maintain the micro-environment

#### EasyCage Mouse Feeder

- Recyclable, HDPE plastic
- Aluminum grate
- Food capacity: 1 lb
- Reusable beyond one cage change

#### EasyCage Cardholder

- Recyclable PVC
- Accommodates 3 in x 5 in or 3 in x 4 in
- Slides onto EasyCage Mouse Lid

#### EasyCage Watering

- Recyclable, BPA-free, PET
- Purified water
- 300 mL filled (Empty bottles also available)
- Automatic watering version available

#### NestPak Bedding

- ¼-in ALPHA-dri, ¼-in Corn Cob, or ⅛-in Performance BioFresh
- A 3-in-1 solution: bedding, nesting and enrichment
- Reduces airborne particulates and allergens
- FDA-approved paper containing a consistent amount of bedding
- Safe for both autoclaving and irradiation

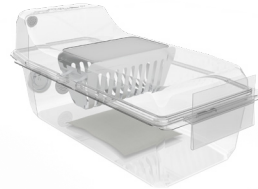
*All plastic components come decontaminated and ready to use.*

**COMPONENTS**

**Standard Cage System with External Bottle Lid**  
7.563 in x 6.677 in x 16.571 in  
Floor space: 77.5 in<sup>2</sup>



**Standard Cage System with Micro Barrier Lid**  
7.563 in x 6.677 in x 16.571 in  
Floor space: 77.5 in<sup>2</sup>



**Bottle**



300 mL | .75 lbs (filled)  
Item # 228333-1  
(Empty bottle option available:  
Item # 228333-4-R | .05 lbs)

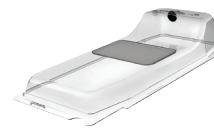
**Lid**



**Hydropac® / Bottle Lid**  
7.563 in x 4.739 in x 16.370 in | .25 lbs



**No Bottle Hole Lid**  
7.563 in x 4.739 in x 16.370 in | .25 lbs



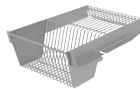
**Micro Barrier Lid**  
7.563 in x 2.844 in x 16.370 in | .25 lbs

**Cardholder**



Accommodates 3 in x 5 in or 3 in x 4 in | .05 lbs  
Item # 228539-V

**WBL / Feeder**



**Half Pocket Wire Bar Lid**  
Food capacity: 454 g  
6.895 in x 2.966 in x 9.397 in | .48 lbs  
Item # 414085



**Plastic Feeder with Aluminum Grate**  
Food capacity: 454 g  
6.946 in x 2.875 in x 3.249 in | .10 lbs  
Item # 316048-R



**Feeder Cover Plate**  
5.875 in x .272 in x 3.310 in | .13 lbs  
Item # 230174



**Aluminum Feeder**  
Food capacity: 454 g  
6.925 in x 2.890 in x 3.183 in | .08 lbs  
Item # 230306-R

**NestPak**



¼-in ALPHA-dri, ¼-in Corn Cob,  
or ¼-in Performance BioFresh

**Base**



**Base**  
7.563 in x 4.052 in x 16.324 in | .30 lbs  
Item # 125908-R (without automatic watering – shown above)  
Item # 126125-R (with automatic watering)  
Item # 126146 (reusable grommet) is required for automatic watering

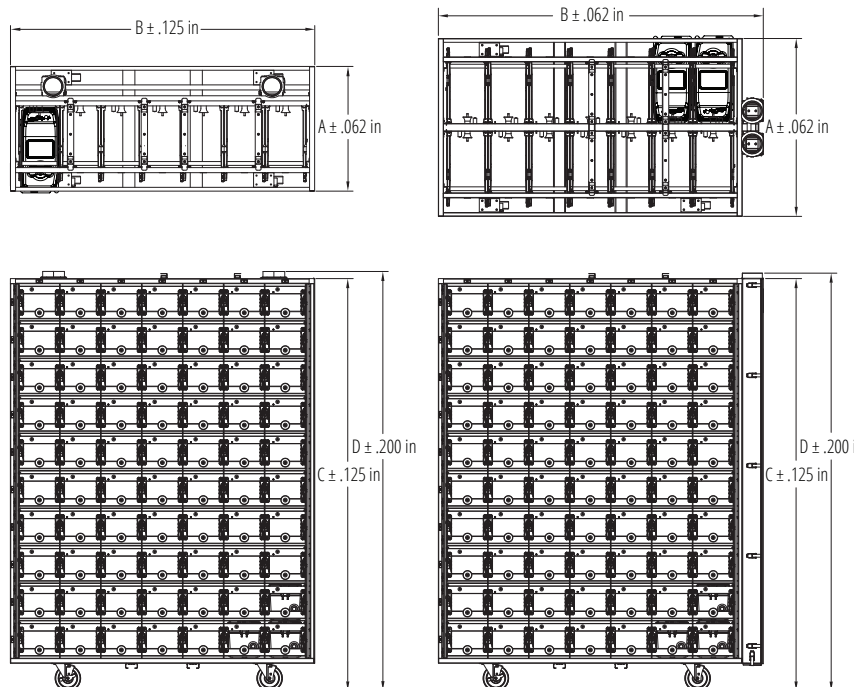
**SPECIFICATIONS**

Size	Depth (A)	Width (B)	Height <sup>1</sup> (C)	Height <sup>1,2</sup> (D)	Matrix		Sides	Weights <sup>3</sup> (loaded)	Weights <sup>3</sup> (unloaded)	Animal Capacity	ACH	Supply Air	Exhaust Air (+)	Exhaust Air (-)	Energy Use	Heat Load
	in	in	in	in	Col.	Row		lbs	lbs			CFM	CFM	CFM	Watts	Watts
<b>5-inch Casters</b>																
60	24.5	51.688	80.076	81.202	6	10	1	385	275	300	50	14	11	18	10.8	9.7
70	24.5	59.750	80.076	81.202	7	10	1	415	310	350	50	16	12	20	11.1	10.0
80	24.5	67.812	80.076	81.202	8	10	1	500	376	400	50	18	14	23	11.5	10.4
120	35.0	55.857	80.076	81.202	6	10	2	580	412	600	50	27	20	34	11.7	10.5
140	35.0	63.919	80.076	81.202	7	10	2	630	420	700	50	32	24	40	13.0	11.7
160	35.0	71.981	80.076	81.202	8	10	2	700	464	800	50	36	27	45	13.6	12.3
<b>3.5-inch Casters</b>																
60	24.5	51.688	78.589	79.715	6	10	1	385	297	300	50	14	11	18	10.8	9.7
70	24.5	59.750	78.589	79.715	7	10	1	415	347	350	50	16	12	20	11.1	10.0
80	24.5	67.812	78.589	79.715	8	10	1	500	360	400	50	18	14	23	11.5	10.4
120	35.0	55.857	78.589	79.715	6	10	2	580	430	600	50	27	20	34	11.7	10.5
140	35.0	63.919	78.589	79.715	7	10	2	630	479	700	50	32	24	40	13.0	11.7
160	35.0	71.981	78.589	79.715	8	10	2	700	530	800	50	36	27	45	13.6	12.3

Note: a.) Airflow at sea-level b.) Rack weight without blowers, animals, bedding or watering c.) Airflow tolerance ± 10 % d.) Other configurations available.  
<sup>1</sup> Height includes casters. Add 9.74 inches to 11.70 inches for rack mounted blowers <sup>2</sup> Height includes removable runners and collars <sup>3</sup> All weights are approximations

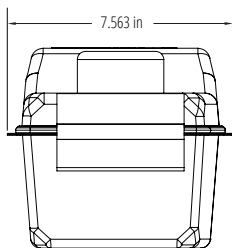
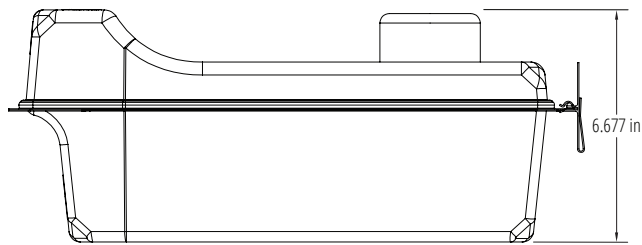
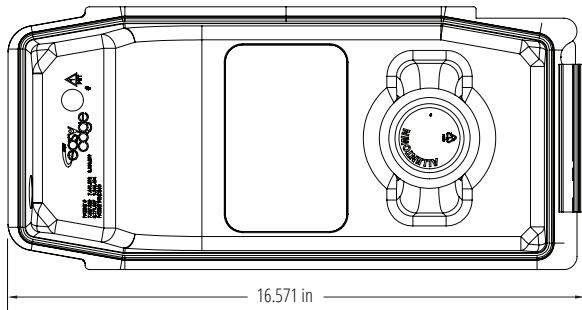
**Notes**

- Optional top panel
- Optional bumpers may change dimensions
- Multiple blower configurations



**SPECIFICATIONS**

**External Dimensions**

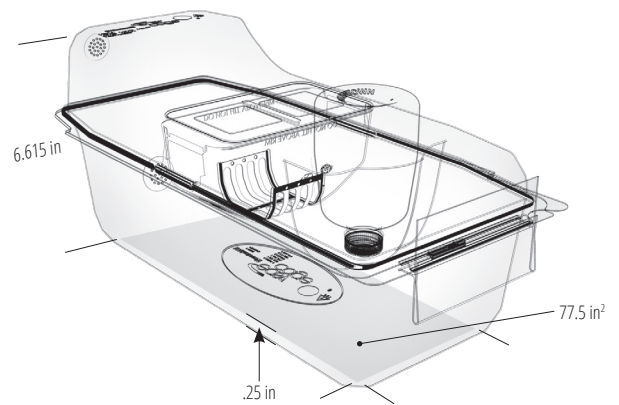


**Internal Dimensions**

Half Pocket Wire Bar Lid



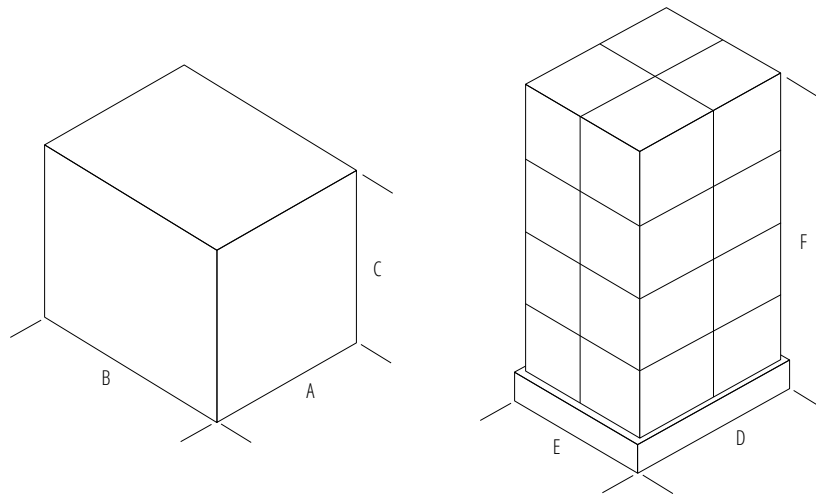
Plastic Feeder with Aluminum Grate



**SPECIFICATIONS – PACKAGING**

Description	Box				Pallet			
	Items per Box	Depth (A)	Width (B)	Height (C)	Items per Pallet	Depth (D)	Width (E)	Height (F)
		in	in	in		in	in	in
<b>Bottle</b>								
Filled	24	11.00	14.00	4.50	1152	48.00	40.00	65.50
Empty	96	19.50	11.63	17.38	3072	48.00	40.00	75.25
<b>Lid</b>								
Hydropac® / Bottle	100	15.00	18.50	17.00	2200	48.00	40.00	73.00
<b>Cardholder</b>								
Plastic	100	9.50	8.00	12.25	12000	48.00	40.00	79.77
<b>Feeder</b>								
Plastic with Aluminum Grate	100	17.20	14.10	10.10	4800	48.00	40.00	74.00
Aluminum	100	17.50	14.75	7.31	4500	48.00	40.00	58.00
<b>Base</b>								
Empty	50	12.50	18.50	17.00	1050	48.00	40.00	72.00
Bedded <sup>1</sup>	50	18.13	18.50	16.75	800	38.00	38.00	73.00

<sup>1</sup> NestPak ¼-in ALPHA-dri, ¼-in Corn Cob, or ½-in Performance BioFresh



**Half Pocket Wire Bar Lid**

