

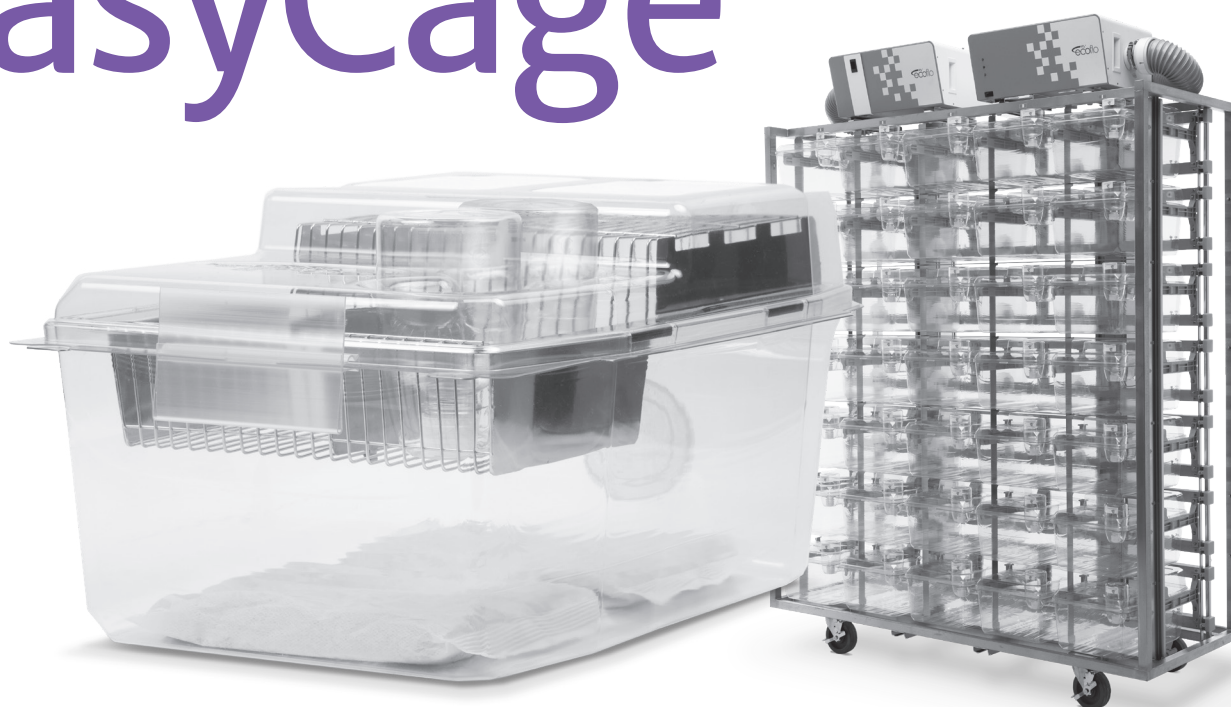


**Your trusted
global partner
in life-saving research**

For over 50 years, Allentown has provided critical solutions to the biomedical research community. Our high-quality equipment and advanced vivarium systems continue to define and exceed industry standards. Like everything we do, our unparalleled customer service is stamped with the Allentown hallmarks of integrity, dedication and care.

EasyCage®

RAT



OVERVIEW

Providing critical solutions with integrity and care.



Disposable, Recyclable, Retrofittable Caging

EasyCage Rat is a disposable, recyclable, retrofittable caging option that works in conjunction with Allentown's NexGen Rat IVCs. Because it's disposable, the EasyCage eliminates cage processes such as washing and autoclaving, streamlining vivarium operations while at the same time improving performance, bio-security, ergonomics, and energy consumption.

All plastic components come decontaminated and ready to use right out of the box.

Once assembled, EasyCages can then be placed directly into a NexGen Rat IVC and used immediately.

When finished using, bedding is discarded and the cage can then be recycled or disposed of. With no post-use processing necessary, putting cages in to and out of use couldn't be any easier.

COMPONENTS



IVC System

- Positive or negative precision air controlled rack
- Up to 70-cage capacity
- Lightweight, compact, and autoclave compatible rack design
- Plastic (polysulfone) cage support runners with integrated spring-operated cage lock with docking indicator
- Ergonomic, single-finger motion docking with auto-locking feature
- Horizontal airflow manifolds with tethered dual silicone end caps for ease of cleaning
- 5-inch and 3.5-inch diameter stainless steel casters with gray polypropylene wheels with sealed ball bearings and four foot-operated brakes
- Rear exhaust and supply plenum configurations for single-sided IVCs, or same side exhaust and supply plenum configurations for double-sided IVCs
- 4-inch diameter vertical supply and 4-inch diameter vertical exhaust plenums with back and bottom door access
- 304 stainless steel, welded frame construction, utilizing both square and rectangular structural tubing
- Cage air tubes are 304 stainless steel
- Automatic watering available
- Row and column identification labels
- Model number and serial number identification labels
- Compatible with all configurations of EcoFlo™ blowers
- Compatible with WiVarium Plus™ and Wi-Com Vantage™
- Compatible with Sentinel™ EAD® and Sentinel2™ Colony Health Monitoring systems*
- Compatible with Wi-Com Sensus™ Animal Inventory System
- Accommodates both NexGen reusable and EasyCage® single-use cage systems

Cage System

- EasyCage Rat Base**
 - Made from recyclable, BPA-free, PET
 - Floor area: 140 in²
 - Pre-bedding options: NestPak® ¼-in ALPHA-dri®, ¼-in Corn Cob, or ⅛-in Performance BioFresh™
 - Snap fit with EasyCage Rat Lid
 - Sealed supply filter maintains the micro-environment
- EasyCage Rat Lid**
 - Made from recyclable, BPA-free, PET
 - Integrated dual bottle wells
 - Snap fit with EasyCage Rat Base
 - Sealed filters maintain the micro-environment
- EasyCage Rat Feeder**
 - Wire bar made from stainless steel
 - Food capacity: 1.7 lbs
 - Reusable beyond one cage change
- EasyCage Cardholder**
 - Recyclable PVC
 - Accommodates 3 in x 5 in or 3 in x 4 in
 - Slides onto EasyCage Rat Lid
- EasyCage Watering**
 - Recyclable, BPA-free, PET bottles
 - Purified water
 - Dual 300 mL filled (Empty bottles also available)
 - Automatic watering version available
- NestPak Bedding**
 - ¼-in ALPHA-dri, ¼-in Corn Cob, or ⅛-in Performance BioFresh (x2)
 - A 3-in-1 solution: bedding, nesting and enrichment
 - Reduces airborne particulates and allergens
 - FDA-approved paper containing a consistent amount of bedding
 - Safe for both autoclaving and irradiation

All plastic components come decontaminated and ready to use.

COMPONENTS

Standard Cage System
11.750 in x 8.892 in x 17.348 in | 2.38 lbs
Floor space: 140 in²



Bottle



300 mL | .75 lbs
Item # 228333-1 (x2)
(Empty bottle option available:
Item # 228333-4-R | .05 lbs)

Lid



Bottle Lid with Hole
11.750 in x 4.802 in x 17.348 in | .38 lbs
Item # 229796-1-R



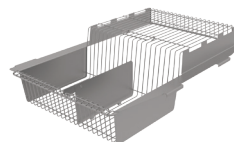
No Bottle Hole Lid
11.750 in x 4.802 in x 17.348 in | .38 lbs
Item # 229796-2-R

Cardholder



Accommodates 3 in x 5 in or 3 in x 4 in | .05 lbs
Item # 228539-V

WBL / Feeder



Stainless Steel Wire Bar Lid
Food capacity: 798 g
11.094 in x 4.196 in x 15.713 in | 1.31 lbs
Item # 229611

NestPak



¼-in ALPHA-dri, ¼-in Corn Cob,
or ¼-in Performance BioFresh (x2)

Base

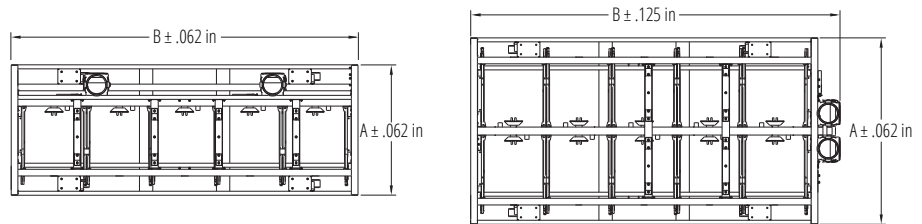


Base
11.750 in x 6.460 in x 17.348 in | .56 lbs
Item # 229799-R (without automatic watering – shown above)
Item # 229801-R (with automatic watering)
Item # 126146 (reusable grommet) is required for automatic watering

SPECIFICATIONS

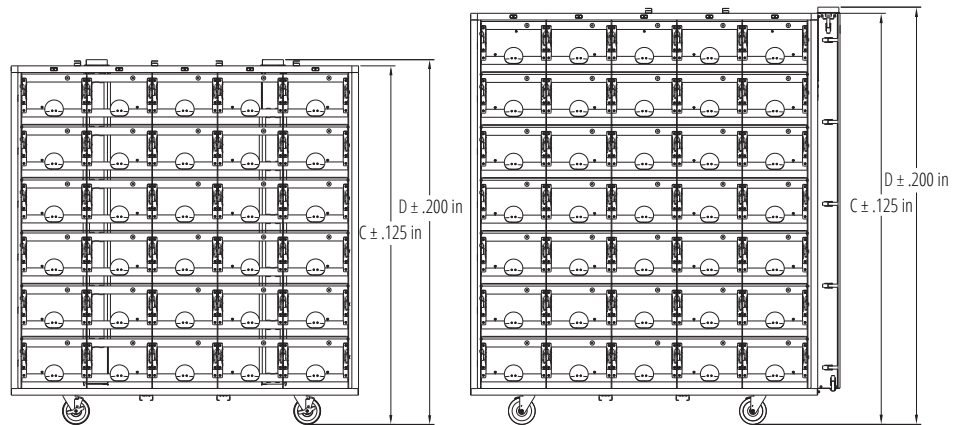
Size	Depth (A)	Width (B)	Height ¹ (C)	Height ^{1,2} (D)	Matrix		Weights ³ (loaded)	Weights ³ (unloaded)	Animal Capacity	ACH	Supply Air	Exhaust Air (+)	Exhaust Air (-)	Energy Use	Heat Load	
	in	in	in	in	Col.	Row					Sides	CFM	CFM	CFM	Watts	Watts
5-inch Casters																
30	24.5	65.066	67.26	68.41	5	6	1	400	250	60	60	17	13	21	12.1	10.9
35	24.5	65.066	77.20	78.35	5	7	1	495	288	70	60	20	15	25	13.8	12.4
60	35.0	69.250	67.26	68.41	5	6	2	552	326	120	60	35	26	44	21.6	19.4
70	35.0	69.250	77.20	78.35	5	7	2	812	394	140	60	40	30	50	21.8	19.6

Note: a.) Airflow at sea-level b.) Rack weight without blowers, animals, bedding or watering c.) Airflow tolerance ± 10 % d.) Other configurations available.
¹ Height includes casters. Add 9.74 inches to 11.70 inches for rack mounted blowers ² Height includes removable runners and collars ³ All weights are approximations



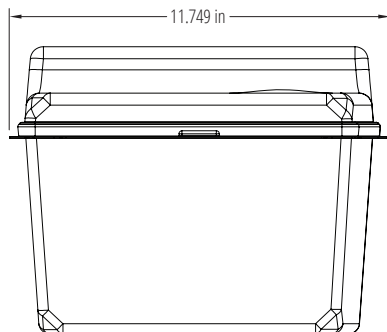
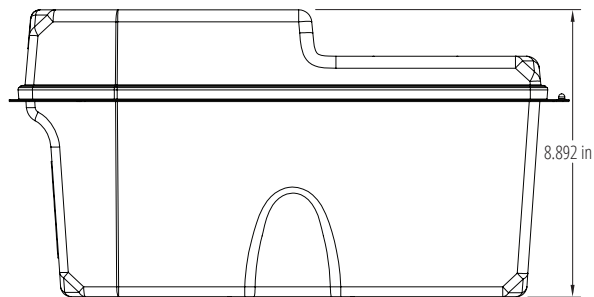
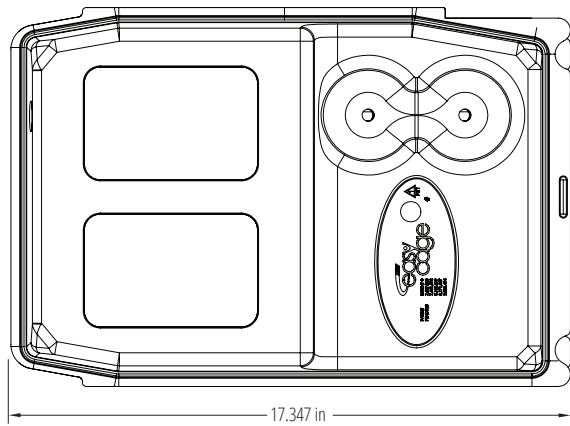
Notes

- Optional top panel
- Optional bumpers may change dimensions
- Multiple blower configurations



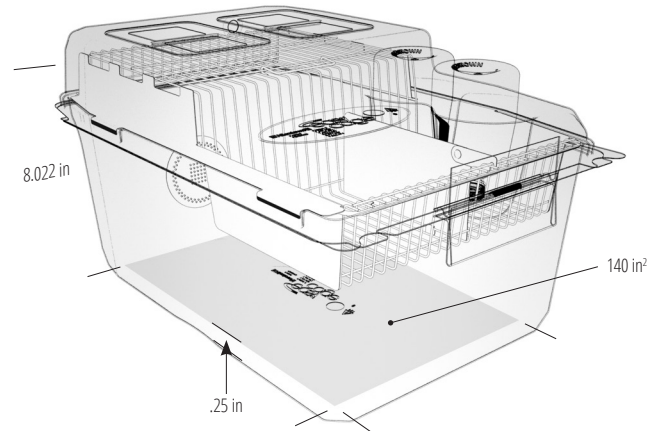
SPECIFICATIONS

External Dimensions



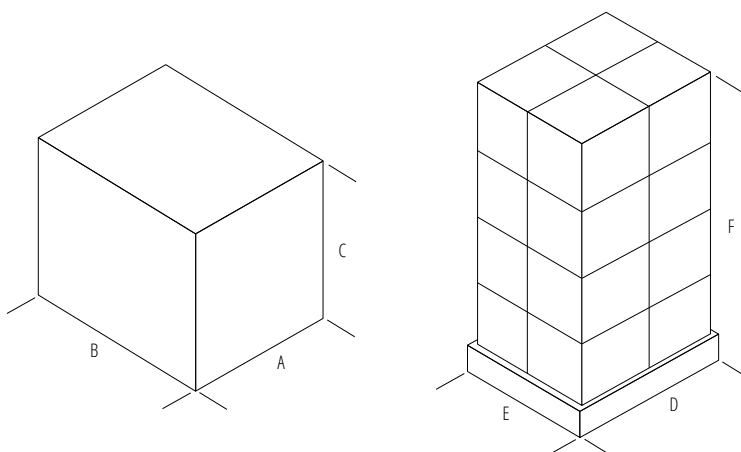
Internal Dimensions

Full Pocket Wire Bar Lid



SPECIFICATIONS – PACKAGING

Description	Box				Pallet			
	Items per Box	Depth (A)	Width (B)	Height (C)	Items per Pallet	Depth (D)	Width (E)	Height (F)
		in	in	in		in	in	in
Bottle								
Filled	20	279	356	114	1080	48.00	40.00	32.75
Empty	96	495	295	442	3072	48.00	40.00	75.25
Lid								
With Hole / No Hole	50	14.75	25.00	18.63	800	42.00	42.00	79.88
Cardholder								
Plastic	100	9.50	8.00	12.25	12000	48.00	40.00	79.77
Base								
Empty	25	18.50	18.50	13.50	300	38.00	38.00	68.50
Bedded (1/4-inch Corn Cob)	25	24.50	18.50	13.50	300	48.00	40.00	55.77
Bedded (ALPHA-dri)	25	26.50	18.50	13.50	300	48.00	40.00	55.77



Stainless Steel Wire Bar Lid

