

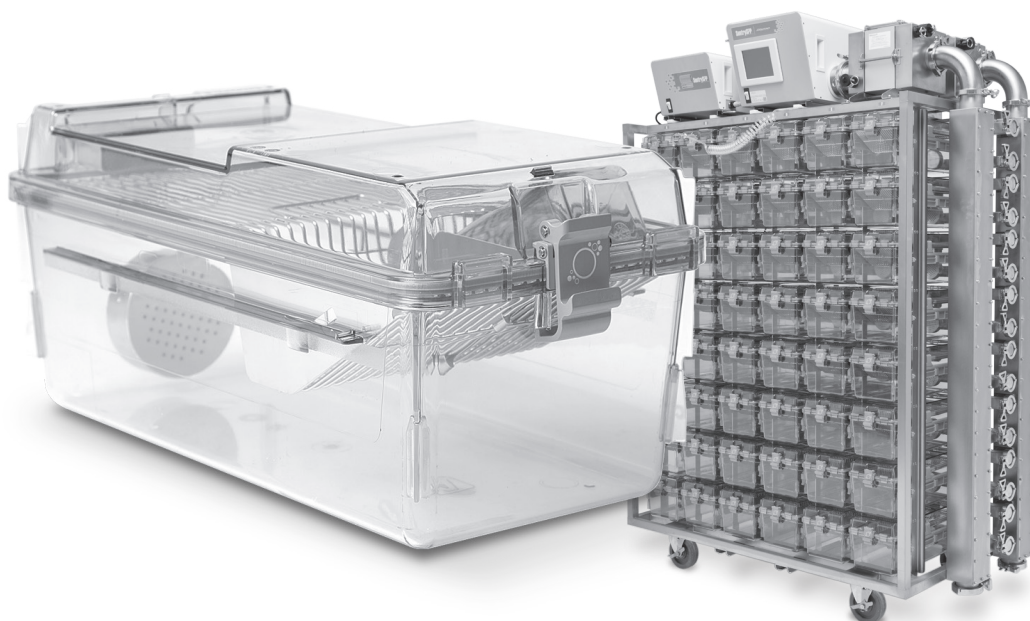


**Your trusted global partner
in life-saving research.**

For over 50 years, Allentown has provided critical solutions to the biomedical research community. Our high-quality equipment and advanced vivarium systems continue to define and exceed industry standards. Like everything we do, our unparalleled customer service is stamped with the Allentown hallmarks of integrity, dedication and care.

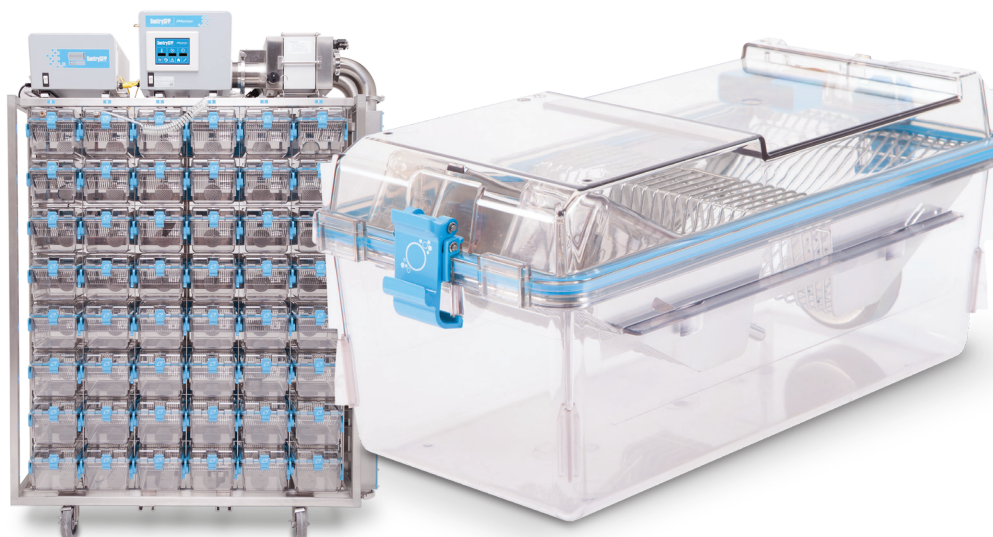
Sentry SPP™ Mouse

SEALED POSITIVE PRESSURE IVC



OVERVIEW

Providing critical solutions with integrity and care.



Secure, Positive Containment

The Sentry SPP employs a Sealed Positive Pressure (SPP) system to achieve the type of germ-controlled environment traditionally found only in isolators. Though successfully employed for research involving mice that are either Axenic (germ-free) or Gnotobiotic (containing a limited, yet defined microbiota), isolators have the down side of being large, cumbersome, and difficult to use when compared to the relative ease of more traditional IVCs. The Sentry SPP combines the secure, positive containment of old-style isolators, with the ease and flexibility of an Allentown IVC.

Patented 4-point seal (United States Patent 6,308,660) – When you remove a cage from the Allentown Sentry SPP system, both the cage *and* the rack are sealed from the room.

Certified cage level supply HEPA filtration – Keeps the microenvironment completely clean and germ free.

SmartDock™ technology – Prevents cages from docking incorrectly, ensuring the health and well-being of valuable research animals.

Ergonomic, user-friendly cage locks – Designed to provide consistent pressure along the entire cage perimeter, ensuring that the gasket seals the top to the cage. The locks are designed to easily snap into a raised position to allow for tunnel washing.

Battery backup – At least 10 hours of emergency backup power, blower redundancy, and wireless monitoring and alarming.

Easy cage removal and wellness checks – No need to fully remove cages from the rack, making animal observation simpler, easier and faster.

Sentry SPP Animal Transfer Unit (ATU) – A mobile animal transport / housing unit designed to provide a secure microenvironment for animals in transport or temporarily removed from the main population.

COMPONENTS



IVC System

- Patented four-point seal system. Upon removal of the cage, both the rack and cage are sealed from the room
- Positive cage operation with control loop feedback for constant airflow
- Whole rack system and cages are autoclavable up to 134 °C¹ and chemically sterilisable
- Plastic (polysulfone) cage support runners with integrated spring operated cage lock with docking indicator
- Ergonomic, single-finger motion docking with auto-locking feature
- Multi-directional 127 mm diameter stainless steel casters with gray polypropylene wheels with sealed ball bearings and four foot-operated brakes
- Horizontal airflow manifolds with stainless steel sanitary fittings for ease of cleaning
- Same-side supply and exhaust plenum configuration
- 100 mm diameter vertical supply and 100 mm diameter vertical exhaust plenums with back and bottom door access
- 304 stainless steel, welded frame construction, utilizing both square and rectangular structural tubing
- Cage air tubes are 304 stainless steel
- At least 10 hours of battery backup with redundant power source
- Weekly cage change capable via single-pass, constant-airflow pattern yielding 30 ACH
- Rack level HEPA filtration – HEPA-filtered air to animal and HEPA-filtered exhaust
- Filter, blower and power alarming via dry contacts
- Blower battery gravity lock system when installed on rack
- Quick-release fittings for on-site HEPA certification or decontamination of entire rack system
- On-site control board programming of blower alarms, filter alarms, disconnected hose, battery operating airflow point and AC operating airflow point

Cage System

- Cage floor space of 537 cm²
- Clear polysulfone plastic
- Gasketed cage lid ensures safety and protection from damage, and maintains cage negative pressure when removed
- Standard, certified cage level supply HEPA filtration
- Standard cage level exhaust filtration
- Optional, certified cage level exhaust HEPA filtration
- SmartDock™ prevents cages from docking incorrectly
- Clear cage and flip-up cardholders improve observations
- Compact nesting and stacking for more efficient autoclaving throughput
- Front pocket wire bar lid or PFT

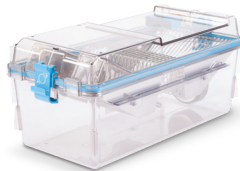
IVC System (continued)

- Real-time battery charge indicator
- Real-time AC or battery indicator
- Row and column identification labels
- Model number and serial number identification labels
- Optional WiVarium Plus™ tablet-based blower control and rack monitoring
- Optional thimble hookup for the removal of heat and odor
- 12-cage Animal Transfer Unit (ATU) available

¹ Please send Allentown the additional information such as cycle time and pressure so we can confirm the settings will not damage the racks or its components.

COMPONENTS

Cage System with Standard Filter Top
194 mm x 178 mm x 419 mm
Floor space: 537 cm²



Bottle

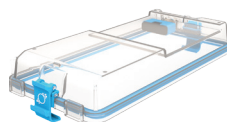


250 mL | 281 g (filled)
Item # PC250BCL+SLC



430 mL | 485 g (filled)
Item # PC430BHT+SLC

Top



Standard Filter Top Assembly
193 mm x 55 mm x 396 mm | 590 g
Item # 226758

Cardholder



76 mm x 102 mm Vertical
Item # VH34P3-8
(also available in 76 mm x 127 mm
Item # VH35P3-8)



76 mm x 102 mm Horizontal
Item # HH34P3-8
(also available in 76 mm x 127 mm
Item # HH35P3-8)

WBL / Feeder



Dual Pocket Wire Bar Lid
Food capacity: 454 g
178 mm x 76 mm x 375 mm | 907 g
Item # 413750



Full Pocket Wire Bar Lid
Food capacity: 426 g
178 mm x 74 mm x 375 mm | 499 g
Item # 412483



PFT with Stainless Steel Grate (Hydropac®)
Food capacity: 426 g
178 mm x 112 mm x 220 mm | 272 g
Item # 225664-1

Filters



Certified Intra-Cage HEPA Filter (Exhaust)
Item # 230876-CS



Certified Intra-Cage HEPA Filter (Supply)
Item # 230873-CS



Intra-Cage Extract Filter Housing
Item # 216716-6



Intra-Cage Extract Filter
Item # FH1000PF

Cage

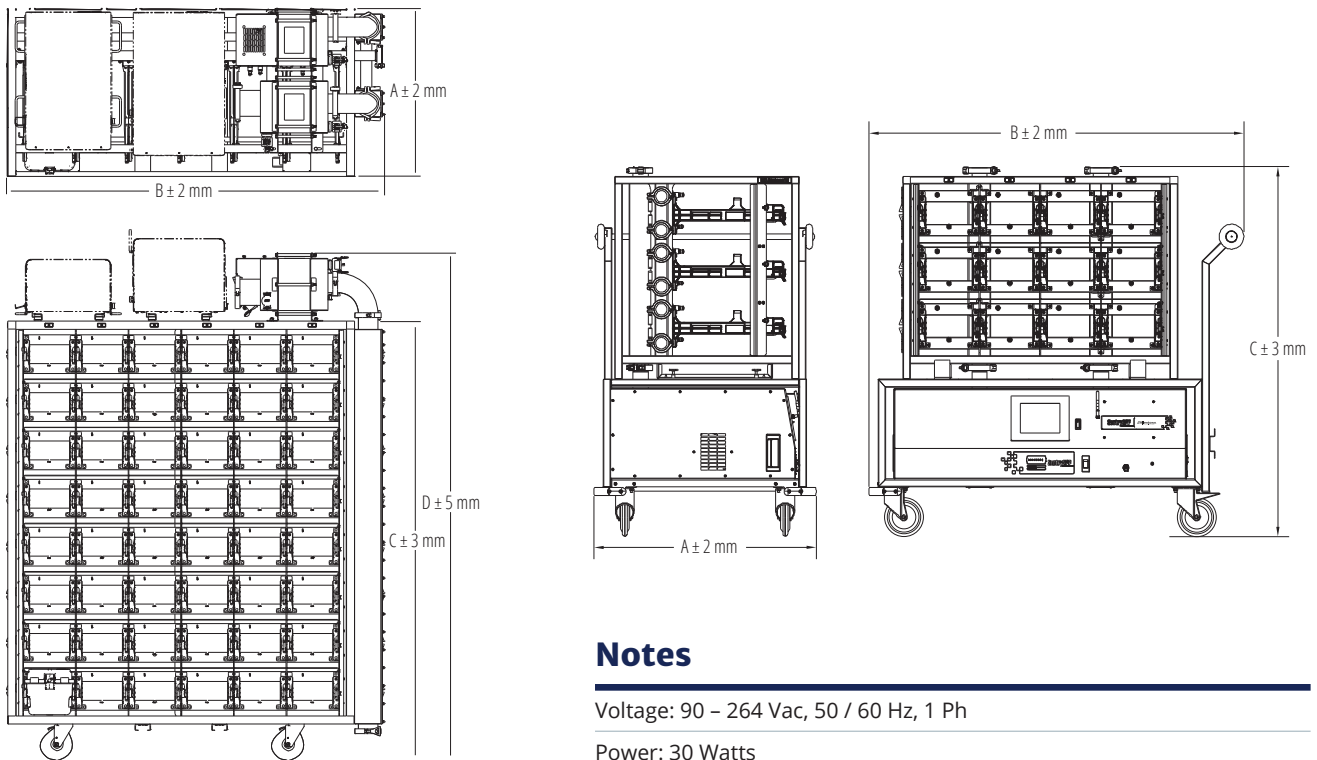


Cage Assembly
194 mm x 130 mm x 384 mm | 767 g
Item # 228215

SPECIFICATIONS

Size	Depth (A)	Width (B)	Height ¹ (C)	Height ¹ (D)	Matrix		Sides	Weights ² (loaded)	Weights ² (unloaded)	Animal Capacity	ACH	Supply Air	Thimble	Energy Use	Heat Load
	mm	mm	mm	mm	Col.	Row		kg	kg			m ³ /hr	m ³ /hr	Watts	Watts
Sentry SPP															
48	651	1466	1708	1973	6	8	1	237	148	240	40	15.3	18.7	30.0	27.0
Sentry SPP ATU															
12	749	1264	1224	N/A	4	3	1	59	38	60	40	3.8	-	23.3	21.0

Note: a.) Airflow at sea-level b.) Airflow tolerance $\pm 10\%$ ¹ Height includes casters. ² All weights are approximations.



Notes

Voltage: 90 – 264 Vac, 50 / 60 Hz, 1 Ph

Power: 30 Watts

Current: 0.31 A @ 120 Vac (0.20 A @ 230 Vac)

Operating pressure: 0.350 inches H₂O at the supply HEPA

Noise (ISO 7779): 43 dBA @ 1.0 meter (clean filter)

HEPA filter: H14

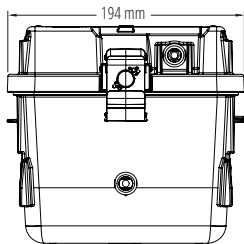
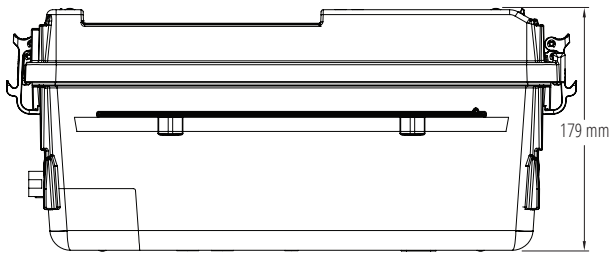
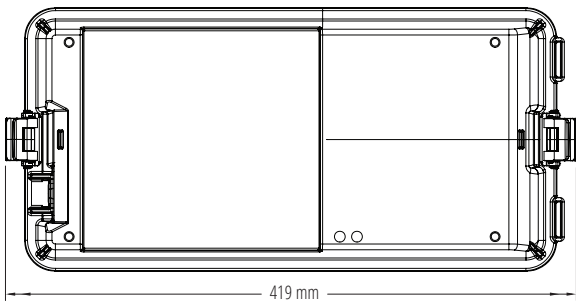
Audible alarm: Option, trigger on blower and power fail

Communications: Bluetooth® or Wi-Fi

Battery life: At least 10 Hours @ ½ pressure

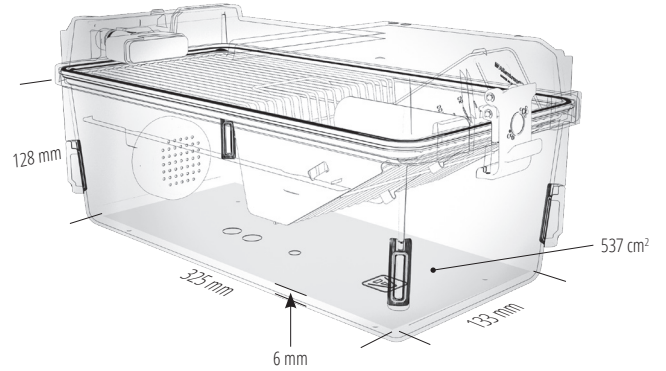
SPECIFICATIONS

External Dimensions

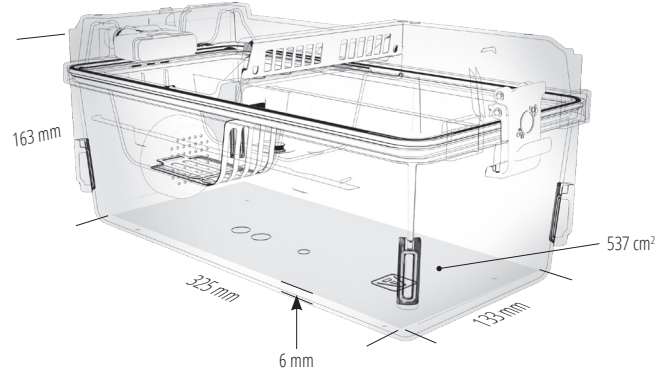


Internal Dimensions

Full Pocket

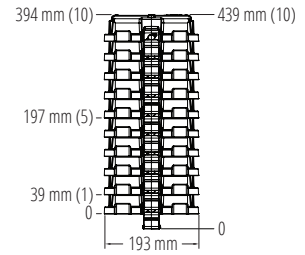
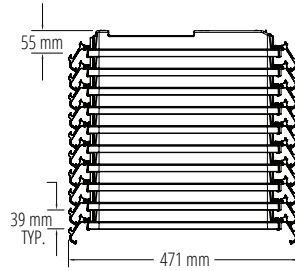
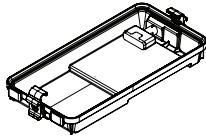


PFT

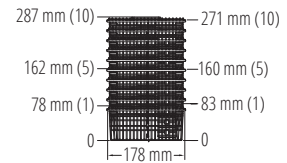
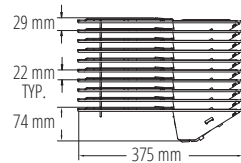


SPECIFICATIONS

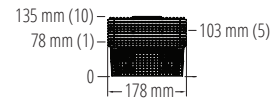
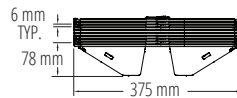
Standard Filter Top



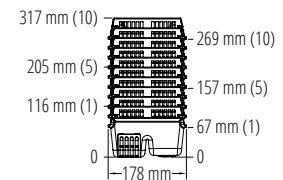
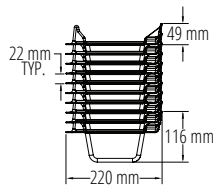
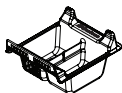
Full Pocket Wire Bar Lid



Dual Pocket Wire Bar Lid



PFT



Cage

