

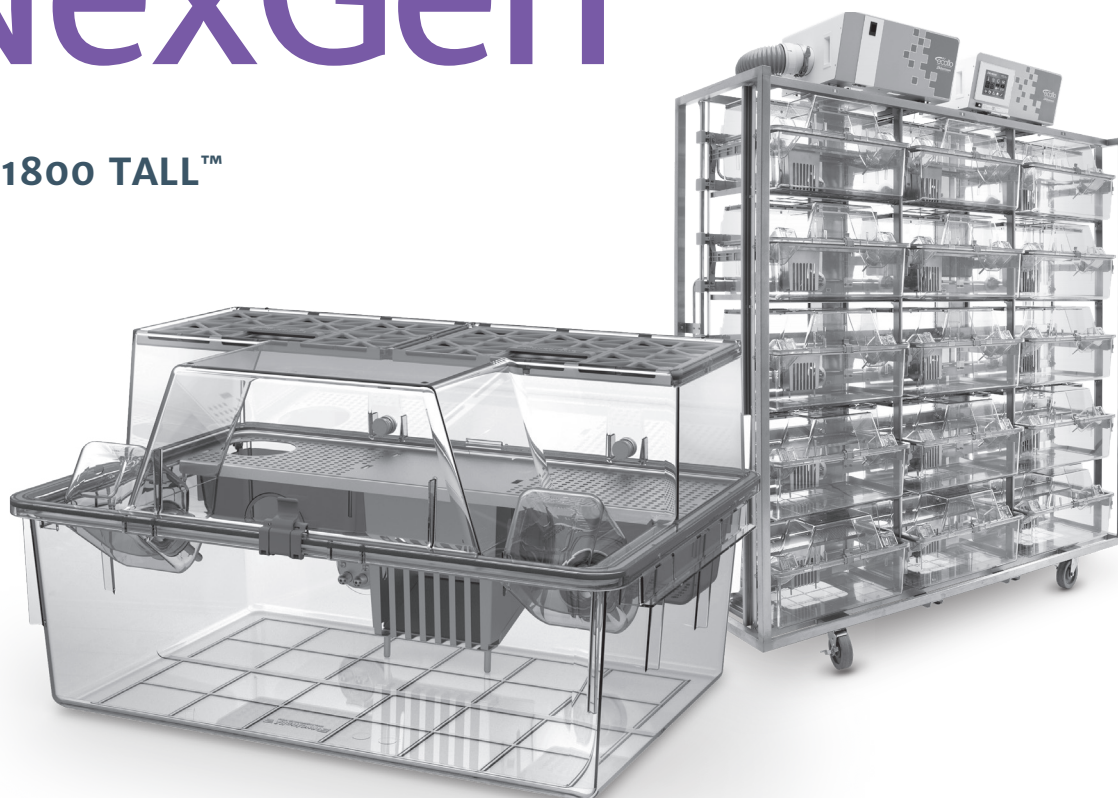


**Your trusted
global partner
in life-saving research**

For over 50 years, Allentown has provided critical solutions to the biomedical research community. Our high-quality equipment and advanced vivarium systems continue to define and exceed industry standards. Like everything we do, our unparalleled customer service is stamped with the Allentown hallmarks of integrity, dedication and care.

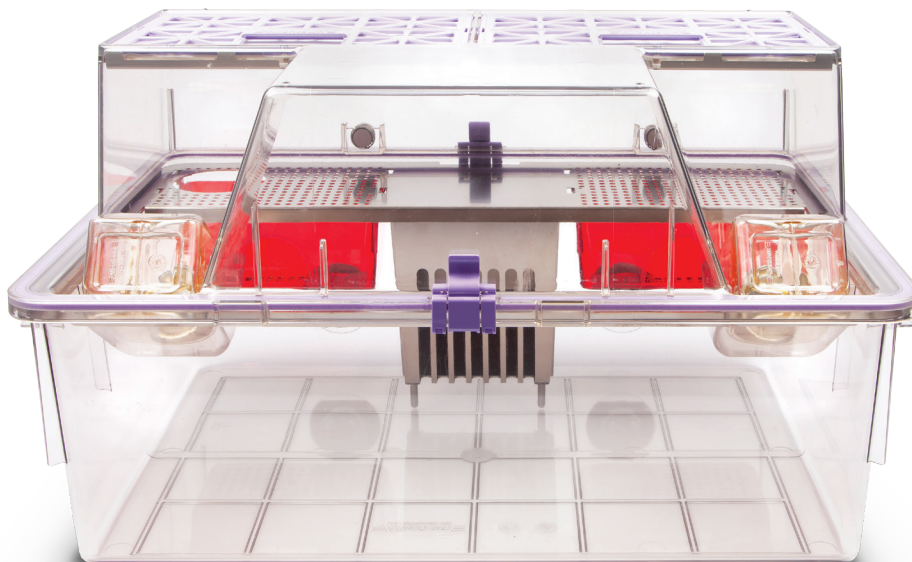
NexGen™

RAT 1800 TALL™



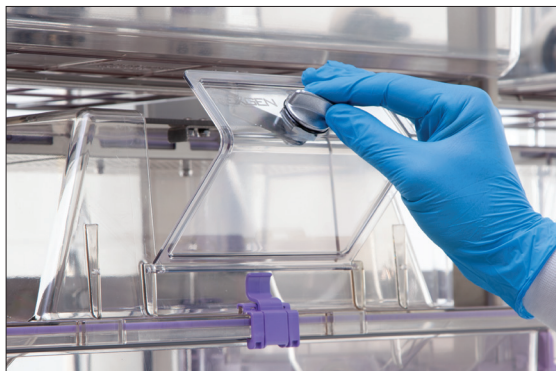
OVERVIEW

Providing critical solutions with integrity and care.



NexGen Rat 1800 Tall

NexGen Rat Housing that complies with CCAC (Canadian Council on Animal Care) requirements and other global standards for rat housing, permitting optimal bipedal posture and animal enrichment.



Meets CCAC requirements for rat housing

Internal cage height of 303 mm

Rack design accommodates both Tall and Standard 1800 cages

Existing 1800 cage system components are compatible with the 1800 Tall cage system (excluding Wire Bar Lid)

Optional hatch available in cage top for easy access to animals

“Super easy to take cage out of rack”

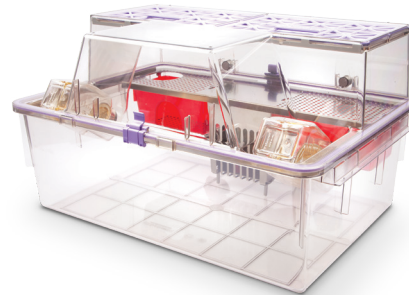
“It’s so quiet I can barely hear it”

“The functionality and manoeuvrability alone are excellent”

“All the animals bred well”

“Blower is simple to operate with no vibration issues”

COMPONENTS



IVC System

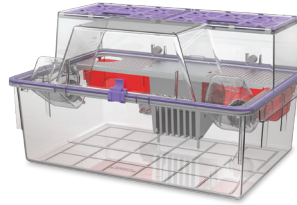
- Positive or negative precision air controlled rack
- Exhaust plenum always negative to the room
- 12, 15, 24 and 30 cage capacities available
- Rack design accommodates both Tall and Standard 1800 cages
- Whole rack system and cages are autoclavable up to 134 °C¹ and chemically sterilisable
- Plastic (polysulfone) cage support runners with integrated spring-operated cage lock with docking indicator
- Ergonomic, single-finger motion docking with auto-locking feature
- Multi-directional 127 mm diameter stainless steel casters with gray polypropylene wheels with sealed ball bearings and four foot-operated brakes
- Dismantable horizontal airflow manifolds with tethered dual plastic end caps for ease of cleaning
- Rear exhaust and supply plenum configurations for single-sided IVCs, or same side exhaust and supply plenum configurations for double-sided IVCs
- 100 mm diameter vertical supply and 100 mm diameter vertical exhaust plenums with back and bottom door access
- 304 stainless steel, welded frame construction, utilizing both square and rectangular structural tubing
- Cage air tubes are 304 stainless steel
- Automatic watering available
- Row and column identification labels
- Model number and serial number identification labels
- Compatible with all configurations of EcoFlo™ blowers
- Compatible with WiVarium Plus™ and Wi-Com Vantage™
- Compatible with Sentinel™ EAD® and Sentinel2™ Colony Health Monitoring systems²
- Compatible with Wi-Com Sensus™ RFID census solution

Cage System

- Cage floor space of 1800 cm²
- Internal cage height of 303 mm, plus multiple enrichment options, permits bipedal posture and animal enrichment
- Existing 1800 cage system components are compatible with the 1800 Tall cage system (excluding Wire Bar Lid)
- Unobstructed views into and out of cage
- Wider, more ergonomic design for balanced weight distribution during handling
- Ergonomic handles on side of cage for ease of handling
- Clear polysulfone plastic
- Gasketed cage lid ensures safety and protection from damage
- Clear cage and flip-up / stay-up cardholders improve observations
- Easily accessible water bottles (EBT)
- Hinged filter retainer swings up for easy filter replacements
- Compact nesting and stacking for more efficient autoclaving throughput
- Available with or without locks and with multiple feeder configurations

COMPONENTS

Cage System with Rear Shelf and Enrichment Lofts
588 mm x 326 mm x 412 mm
Floor space: 1800 cm²



Bottle



350 mL | 395 g (filled)
Item # PC350BCL+SLC



450 mL | 508 g (filled)
Item # PC450BCL+SLC

Top

External Bottle Top
572 mm x 211 mm x 410 mm | 2155 g
Item # 232850-1 (without locks)
Item # 232850-2 (with locks)



External Bottle Top with Hatch
572 mm x 211 mm x 410 mm | 2268 g
Item # 232932-1 (without locks)
Item # 232932-2 (with locks)

Cardholder

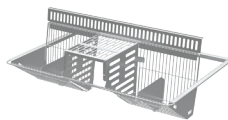


76 mm x 102 mm Vertical
Item # VH34P9-8
(also available in 76 mm x 127 mm
Item # VH35P9-8)



76 mm x 102 mm Horizontal
Item # HH34P9-8
(also available in 76 mm x 127 mm
Item # HH35P9-8)

WBL / Feeder



Half Pocket Wire Bar Lid
Food capacity: 998 g
553 mm x 215 mm x 386 mm | 1860 g
Item # 232853



Hanging Feeder: Rat
Food capacity: 1202 g
140 mm x 186 mm x 124 mm | 454 g
Item # 228934



Hanging Feeder: Guinea Pig
Food capacity: 998 g
89 mm x 183 mm x 140 mm | 381 g
Item # 228542



Hanging Feeder: Guinea Pig/Ferret
Food capacity: 1202 g
129 mm x 185 mm x 107 mm | 653 g
Item # 228560

Enrichment



Enrichment Loft
189 mm x 106 mm x 90 mm | 136 g
Item # 315584



Front Loft
150 mm x 8 mm x 89 mm | 68 g
Item # 227356



Rear Shelf (Stand Alone)
552 mm x 18 mm x 387 mm | 862 g
Item # 227429

Cage

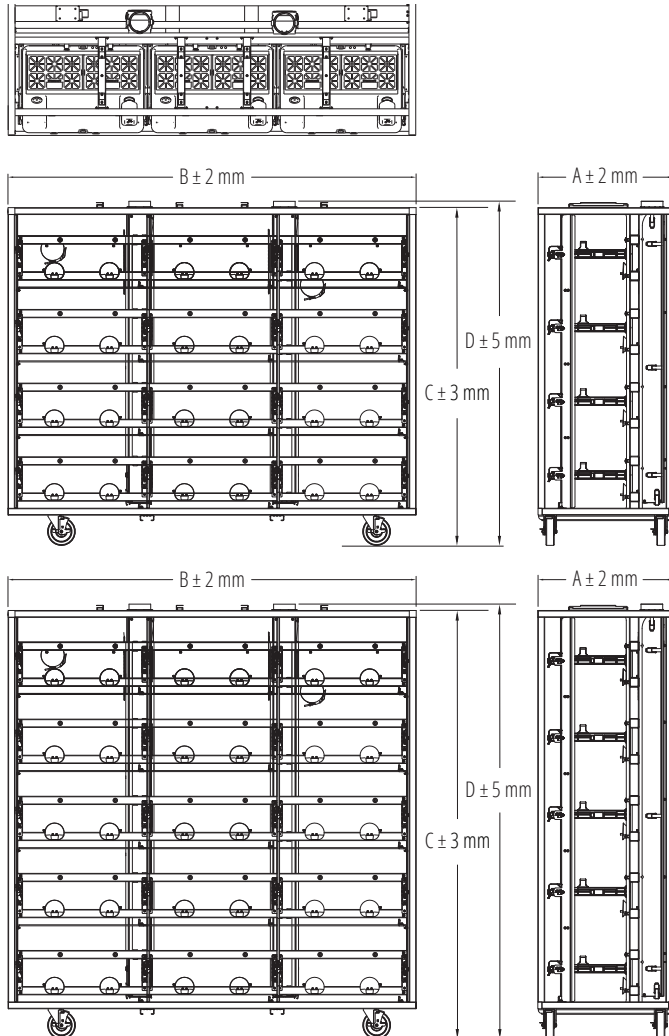
Cage
588 mm x 194 mm x 395 mm | 2449 g
Item # 226231-1 (without automatic
watering - shown at right)
Item # 226231-2 (with automatic watering)



SPECIFICATIONS

Size	Depth (A)	Width (B)	Height ¹ (C)	Height ^{1,2} (D)	Matrix		Sides	Weights ³ (loaded)	Weights ³ (unloaded)	Animal Capacity	ACH	Supply Air	Exhaust Air (+)	Exhaust Air (-)	Energy Use	Heat Load
	mm	mm	mm	mm	Col.	Row		kg	kg			m ³ /hr	m ³ /hr	m ³ /hr	Watts	Watts
127 mm Casters																
12	622	1882	1621	1650	3	4	1	200	96	24	50	28.9	22.1	37.4	21	17
15	622	1882	1976	2005	3	5	1	231	113	30	50	37.4	28.9	47.6	27	22
24	889	1882	1621	1650	3	4	2	255	120	48	50	47.6	35.7	59.5	16.7	15
30	889	1882	1976	2005	3	5	2	295	141	60	50	61.2	45.9	76.5	22.6	20.4

Note: a.) Airflow at sea-level b.) Rack weight without blowers, animals, bedding or watering c.) Airflow tolerance ± 10 % d.) Other configurations available
¹ Height includes casters. Add 247 mm to 297 mm for rack mounted blowers ² Height includes removable runners and collars ³ All weights are approximations



Notes

Ergonomic handles on side of cage for ease of handling

127 mm diameter casters

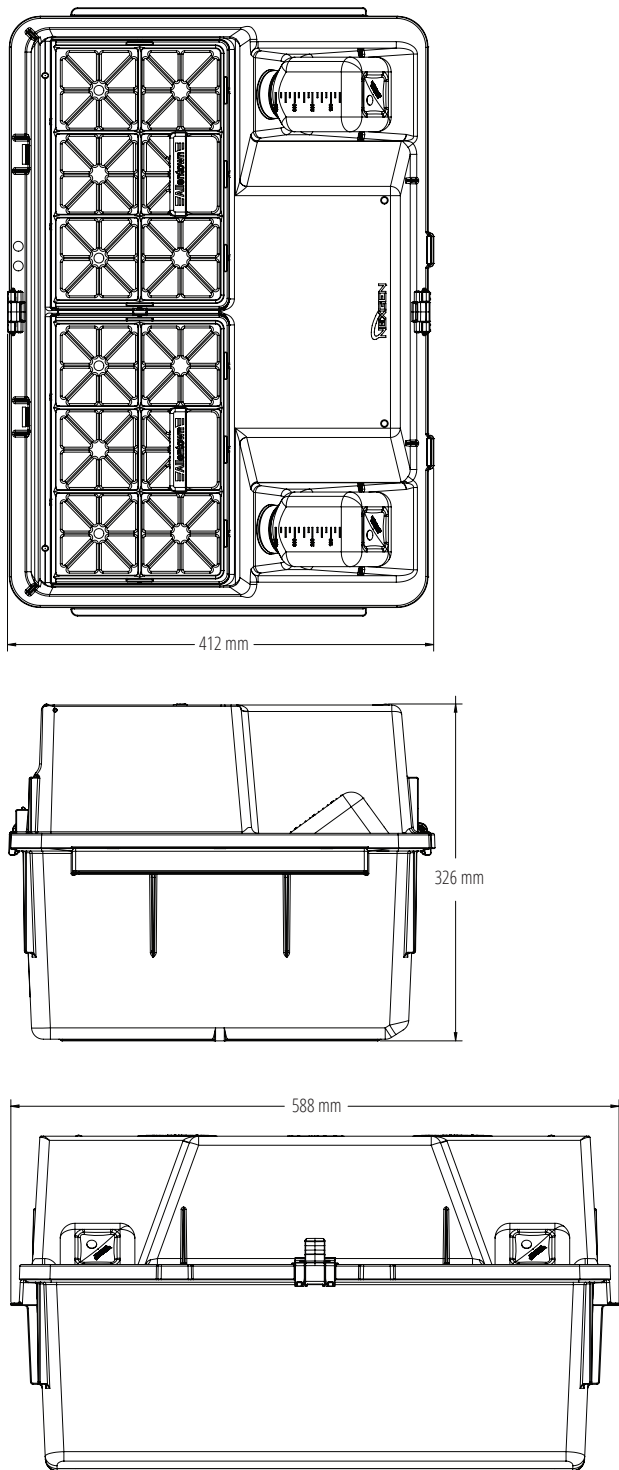
Optional top panel

Optional bumpers may change dimensions

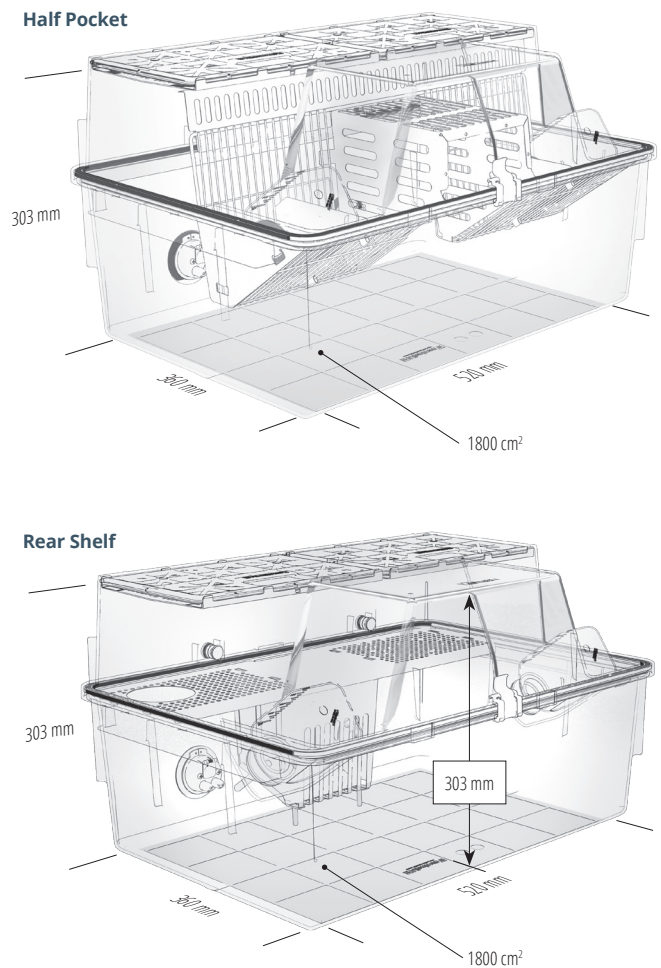
Multiple blower configurations

SPECIFICATIONS

External Dimensions

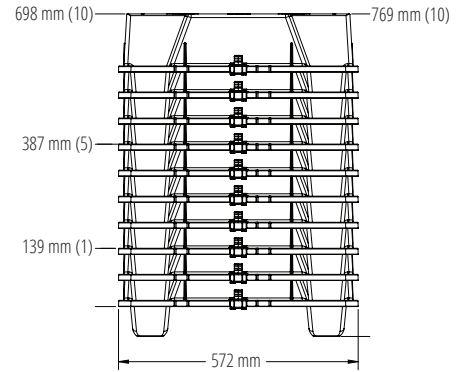
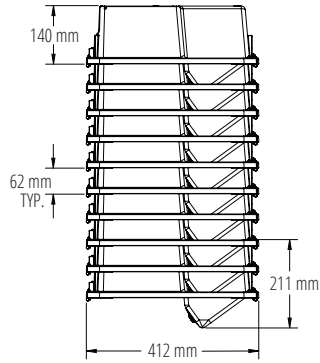
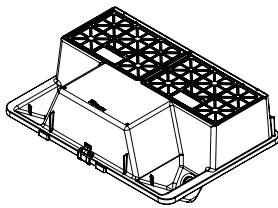


Internal Dimensions

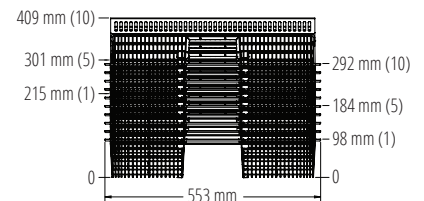
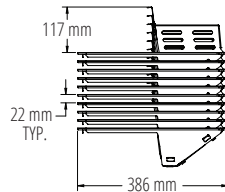
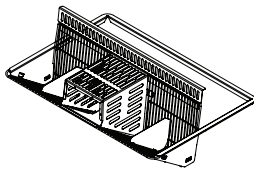


SPECIFICATIONS

External Bottle Top



Half Pocket Wire Bar Lid



Cage

